

A DAWSON DOOR PRODUCT:

ALL GLASS

CUSTOM CRAFTED OPTIONS & TECHNICAL SPECIFICATIONS

A PREMIER AMERICAN METAL FABRICATOR SINCE 1946

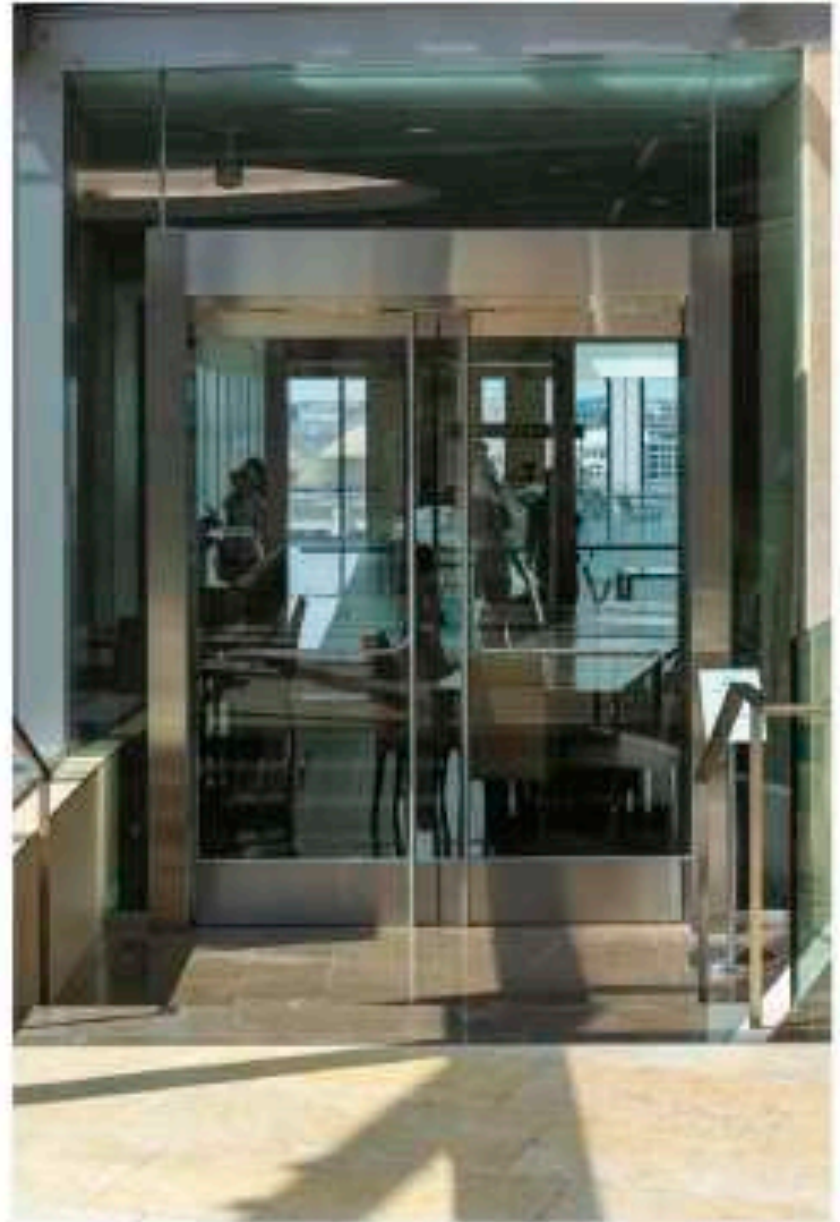


DAWSON

DOOR PRODUCT /

ALL GLASS

All Glass Doors by Dawson create an open and inviting look to your entrance. Glass is factory glazed with monolithic tempered clear glass. Full-width top and bottom rails in either stainless steel, bronze, or painted and offer the perfect decor compliments to elevate any entrance. The All Glass configuration can be balanced or standard swing (center pivoted), and the top and bottom rails are available in a variety of finishes to match the surrounding entrance conditions. Each project is custom engineered to meet even the most demanding design specifications.



Museum of the Bible, Washington D.C., United States

KEY FEATURES

Discover the product features and technical specifications below to see if the All Glass Series is the right fit for your next project.



CUSTOM OPTIONS

Choose between a Balanced or Swing (center pivoted) configuration, plus material and finishing options.



BEST-IN-CLASS DESIGN

Strong, durable and corrosion-resistant materials provide structural integrity while protecting against all conditions.



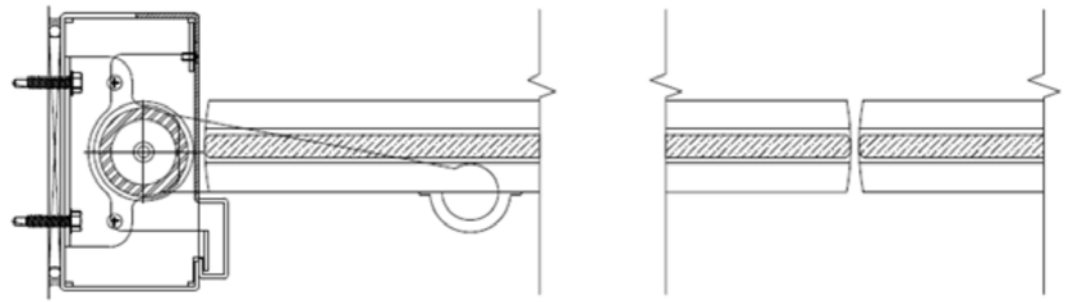
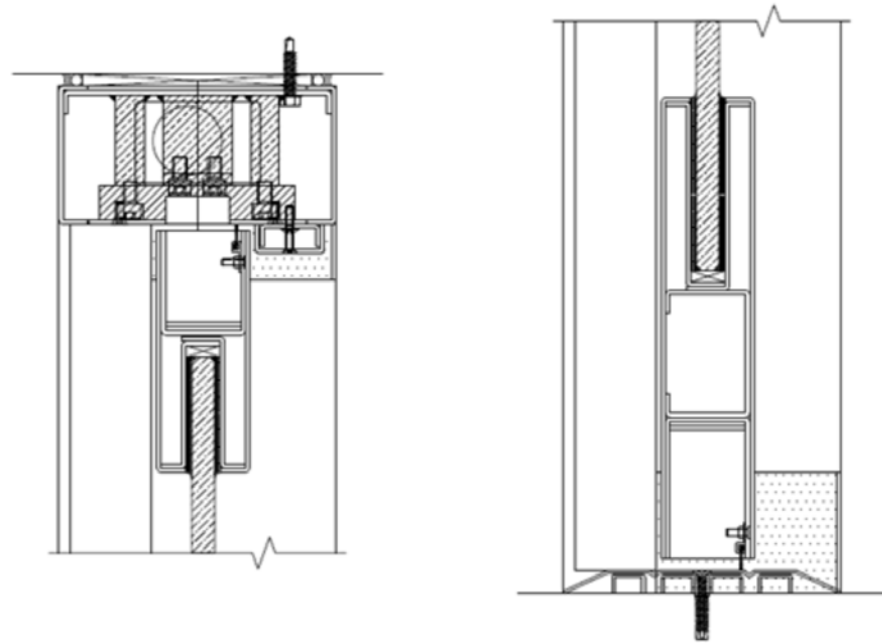
10 YEAR WARRANTY

Dawson stands by its quality engineered products and advanced manufacturing processes thus offering ten years of warranty on standard sizes.

TECHNICAL SPECIFICATIONS

Thickness	2"
Width	4'-0" max.*
Height	9'-0" max.*
Glass /Glazing	Door heights up to 8'6" will include 1/2" clear tempered glass + factory glazing Door height 8'6" to 9'0" + will include 5/8" clear tempered glass + factory glazing
Top Rail	4 1/2" min. (center pivoted) 5 1/4" min. (balanced)
Bottom Rail	7" min. (10" ADA min.)
Door Frame Face Dimension	1" min. (pivot frame) 3" min. (balanced)
Depth of Frame	4 1/2" (pivot frame) 6" min. (balanced)
Threshold Material	Stainless steel, bronze, or aluminum
Threshold Width	4 1/2" to 12"
Finish Hardware	To match door finish

*consult factory for alternatives



ADDITIONAL INFORMATION

- + Top and Bottom Rails receive adjustable weatherstrip; vertical weatherstrip not available.
- + Full integration of tubular exit devices on doors up to 9' high or full height push / pulls.
- + Compatibility for locking mechanisms: magnetic locks, electric strikes and bottom rail locking.
- + Easy integration with most industry standard auto operators.

AVAILABLE FINISHES

BRASS



STAINLESS



PAINTED



FEATURED PROJECTS



Museum of the Bible, Washington, D.C., United States



Museum of the Bible, Washington, D.C., United States



Irvine Spectrum Center, Irvine, CA, United States



Irvine Spectrum Center, Irvine, CA, United States

Installation-Repair-Service
Specializing from the Conceptual Design

1-800-371-2208

New York & New Jersey Premier Door Company

